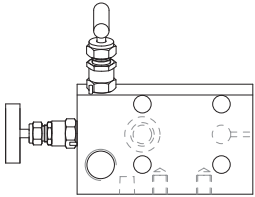
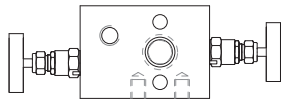
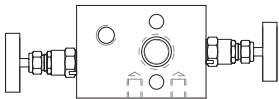
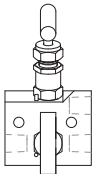
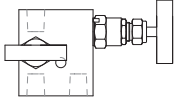
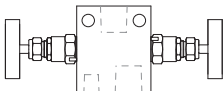
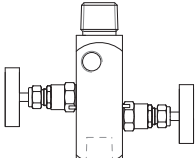
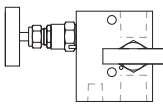
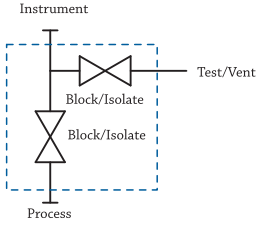


Instrument Manifolds

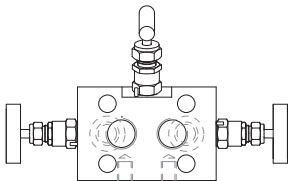
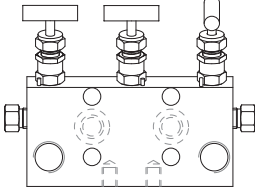
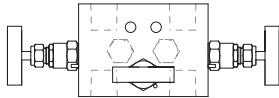
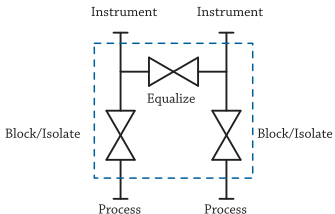
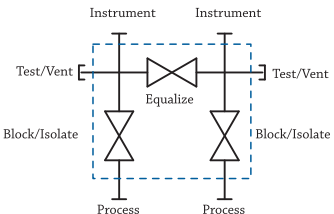
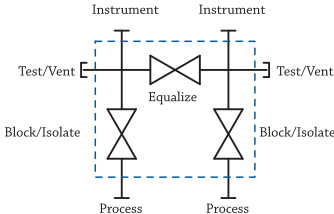
Working pressures up to 6000 psig (413 bar).
Working temperatures from -65°F to 1200°F (-54°C to 648°C).
Orifice: 0.157 in. (4.0mm).

2-Valve Manifolds

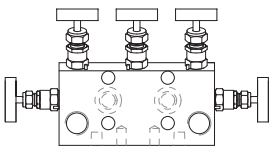
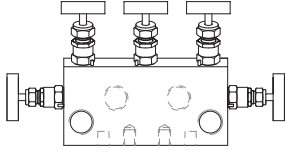
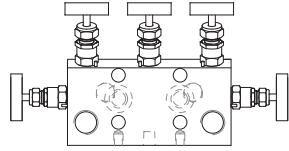
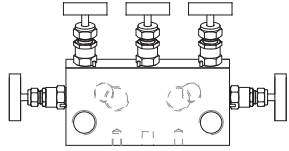
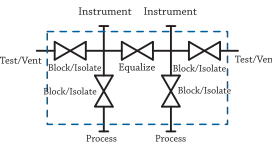
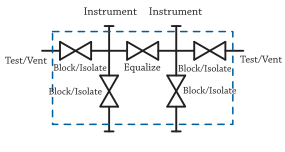
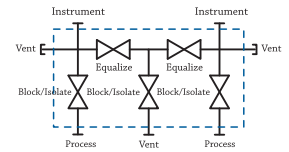
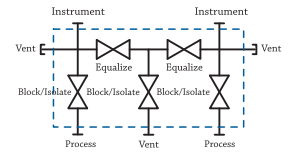
 <p>2M1-FNPT8-1-AT-NN054-316</p>	 <p>2M1-FNPT8-1-IT-NN054-316</p>	 <p>2M1-FNPT8-1-HT-NN054-316</p>
 <p>2M2-FNPT4-2-AT-NN-316</p>	 <p>2M2-FNPT4-2-CT-NN-316</p>	 <p>2M2-FNPT8-2-IT-NN-316</p>
 <p>2M2-FNPT8-NPT8-HT-NN-316</p>	 <p>2M2-FNPT8-2-VT-NN-316</p>	

7/16" UNF X 1.75" high tensile bolts.

3-Valve Manifolds

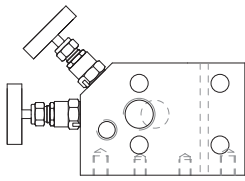
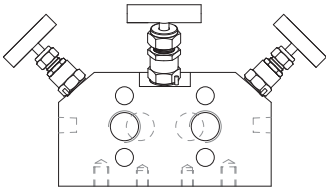
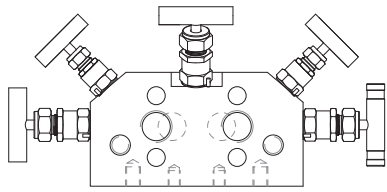
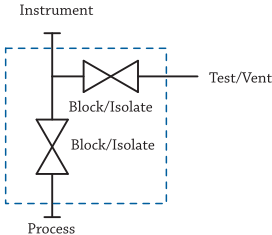
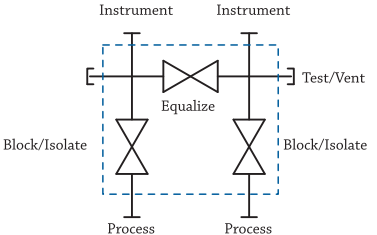
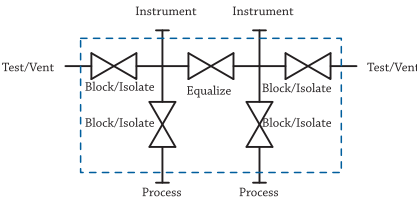
 <p>3M1-FNPT8-1-AT-NN054-316</p>	 <p>3M1-FNPT8-1-IT-NN054-316</p>	 <p>3M2-FNPT8-2-VT-NN-316</p>
		

5-Valve Manifolds

 <p>5M1-FNPT8-1-AT-NN054-316</p>	 <p>5M1-FNPT8-1-IT-NN054-316</p>	 <p>5M1-FNPT8-1-DT-NN054-316</p>	 <p>5M2-FNPT8-2-AT-NN-316</p>
 <p>Instrument Instrument Test/Vent Block/Isolate Equalize Block/Isolate Test/Vent Block/Isolate Block/Isolate Process Process</p>	 <p>Instrument Instrument Test/Vent Block/Isolate Equalize Block/Isolate Test/Vent Block/Isolate Block/Isolate</p>	 <p>Instrument Instrument Vent Equalize Equalize Block/Isolate Block/Isolate Block/Isolate Process Vent Process</p>	 <p>Instrument Instrument Vent Equalize Equalize Block/Isolate Block/Isolate Block/Isolate Process Vent Process</p>

Instrumentation Integral Manifolds

The following configer is designed for Rosemount pressure transmitters.

 <p>2M1-FNPT8-1-CT-NN054-316</p>	 <p>3M1-FNPT8-1-CT-NN054-316</p>	 <p>5M1-FNPT8-1-CT-NN054-316</p>
 <p>Instrument Test/Vent Block/Isolate Block/Isolate Process</p>	 <p>Instrument Instrument Test/Vent Equalize Block/Isolate Block/Isolate Process Process</p>	 <p>Instrument Instrument Test/Vent Block/Isolate Equalize Block/Isolate Block/Isolate Block/Isolate Process Process</p>

How to Order

3M1 — FNPT8 — 2 — HG — TY154 — 316

Manifold Series	Mount Type	Inlet Type	Inlet Size	Outlet Type	Outlet Size	Body Style	Packing Sealing Material	Test Ports & Plugs	Mounting Bracket	For direct mount only		Body Material						
										Flange Fasteners	Flange Outlet Centerline							
2M 2-valve	1 Direct Mount	FNPT Female NPT	4 1/4 in.	1	type: Flanged	A Angle Pattern	T PTFE	N No	N No	0	7/16 - 20 UNF x 1.75 in.	54 2.125 " (54 mm)	316					
														6 3/8 in. or 6 mm	1	7/16 - 20 UNF x 3 in.	56 2.188 " (55.6 mm)	316L
3M 3-valve	2 Remote Mount	FBT Female BSPT	8 1/2 in. or 8 mm	2	type: Same as Inlet	D Double Equalize Function	G Graphite	T 1/4 Female NPT with Relief Valve	Y Yes	1	7/16 - 20 UNF x 3 in.	56 2.188 " (55.6 mm)	304					
														10 10 mm	2	M10 x 40 mm	57 2.250 " (57.2 mm)	304L
5M 5-valve		M Metric Tube Fitting	12 3/4 in. or 12 mm			C Compact Pattern		P 1/4 Female NPT with Plug					Duple x 2507					
														F Fractional Tube Fitting				
														F Female Metric Thread (for RP)				
														FMS Metric Thread (for RP)				
		MNGN Nut+Gasket + Metric Bulge Nipple	20 M20 x 1.5			V Vertically Mounted												
		FL Flanged											Alloy 20					
													Alloy 400					
													Alloy 600					
													Alloy					
													C-276					
													Brass					
													Steel					